



SS5834

5.8GHz 34dBi Solid Parabolic Antenna

Datasheet: 121207

Main Features:

- High-performance, professional 1200mm 34dBi 5.8GHz Dish for critical applications
- Designed for high-wind installations
- ETSI Standard R1, C2
- Ideal for use in high interference environments with multiple links
- Vertical or horizontal single polarization
- Fully enclosed radome
- Full vernier adjustable mount

Electrical Specifications:

Frequency	5725 - 5850MHz
ETSI Standard	R1, C2
Minimum gain	34.6dBi (5725MHz) 34.7dBi (5785MHz) 34.8dBi (5850MHz)
Vertical beam-width	3°
Horizontal beam-width	3°
Return loss	>-14dB
Front-to-back ratio	>-525B
Cross polar discrimination	30dB
Impedance	50 Ohms



Mechanical Specifications:

Connector	N-Type Female
Reflector aperture	1200mm diameter
Stabilising arm	One
Coarse elevation range	10°
Fine elevation adjustment	+/-10°
Coarse azimuth range	360°
Fine azimuth adjustment	+/-10°
Net weight	44kg
Mast diameter	51-114mm OD
Operating temperature	-45°C to 60°C
Wind operational speed	180kph
Wind survival speed	250kph
Shipping dimensions	1760x1360x570mm, 100kg

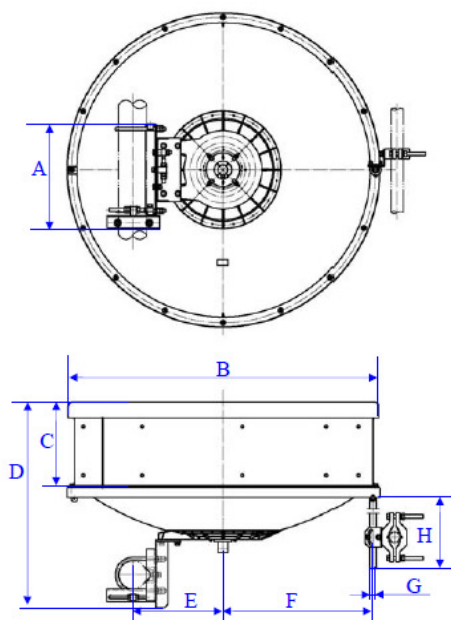
Pacific Satellite Pty Ltd
3/958 Carcoola Street
North Albury, NSW 2640
AUSTRALIA

antennas that go the distance



Phone: +61 2 4982 0855
www.pacsat.com.au
E-mail: sales@pacsat.com.au

Dimensions



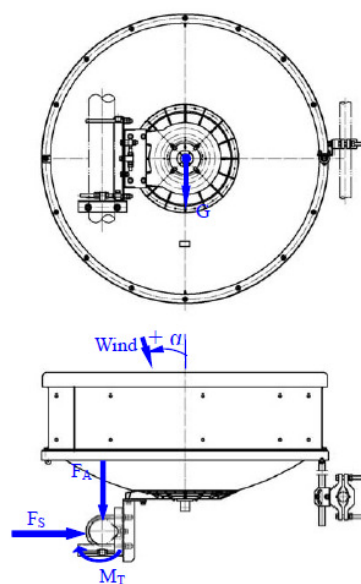
Antenna Dimensions, mm	
A	(329)
B	(ϕ 1271)
C	(350)
D	(986)
E	(371)
F	(612)
G	(ϕ 26.8)
H	(1500)

NOTE: The dimension with "()" is referenced dimension.

Wind Loading:

The axial, side and twisting moment forces stated are maximum loads applied to the tower by the antenna at a survival wind speed of 250km/h (70m/s). They are, in every case, the result of wind from the most critical direction for each parameter. The individual maximums may not occur simultaneously. All forces are referenced to the antenna mounting pipe.

Axial Force (F_A Max.), N	4900
Side Force (F_S Max.), N	2410
Twisting Moment (M_T Max.), N·m	1860
Angle α for M_T Max, Degree	-20



φ1.2m 5.725-5.85GHz RADIATION PATTERN

