

Main Features:

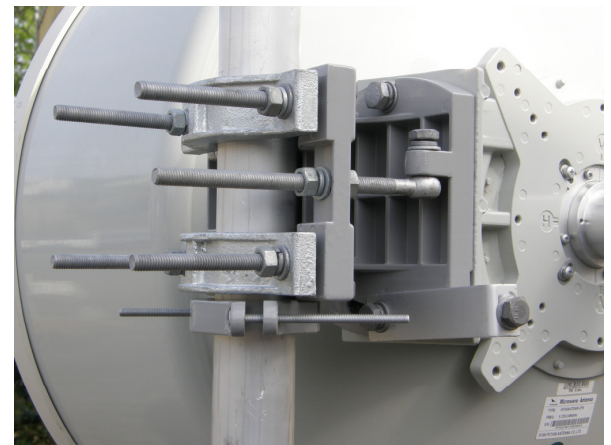
- High-performance, professional 28dBi 5.8GHz Dish for critical applications
- Designed for high-wind installations
- ETSI Standard R1, C2
- Ideal for use in high interference environments with multiple links
- Vertical or horizontal single polarization
- Fully enclosed radome
- Full vernier adjustable mount

Electrical Specifications:

Frequency	5725 - 5850MHz
ETSI Standard	R1, C2
Minimum gain	28.1dBi (5725MHz)
	28.2dBi (5785MHz)
	28.3dBi (5850MHz)
Vertical beam-width	6°
Horizontal beam-width	6°
Return loss	>-14dB
Front-to-back ratio	>-49dB
Cross polar discrimination	30dB
Impedance	50 Ohms

Mechanical Specifications:

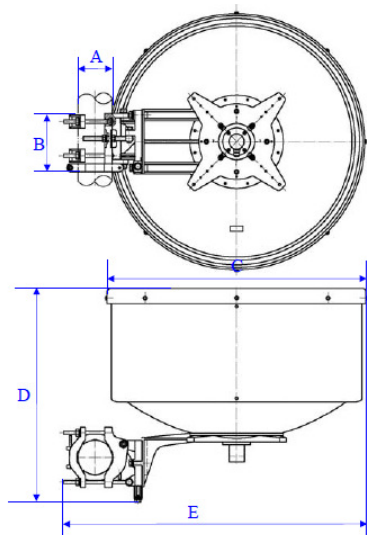
Connector	N-Type Female
Reflector aperture	600mm diameter
Coarse elevation range	10°
Fine elevation adjustment	+/-15°
Coarse azimuth range	360°
Fine azimuth adjustment	+/-15°
Net weight	15kg
Mast diameter	51-114mm OD
Operating temperature	-45°C to 60°C
Wind operational speed	180kph
Wind survival speed	250kph
Shipping dimensions	750x750x570mm, 23kg



SS5828

5.8GHz 28dBi Solid Parabolic Antenna

Dimensions



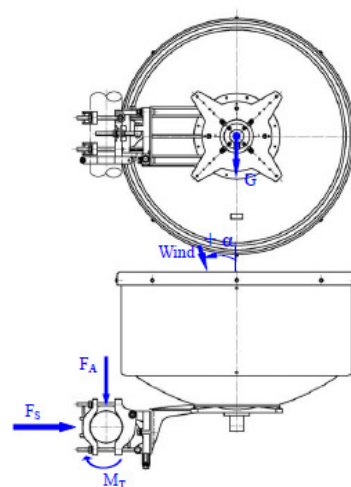
Antenna Dimensions, mm	
A	φ51 ~ φ114
B	(154)
C	(φ675)
D	(564)
E	(799)

NOTE: The dimension with "()" is referenced dimension.

Wind Loading:

The axial, side and twisting moment forces stated are maximum loads applied to the tower by the antenna at a survival wind speed of 250 km/h (70m/s). They are, in every case, the result of wind from the most critical direction for each parameter. The individual maximums may not occur simultaneously. All forces are referenced to the antenna mounting pipe.

Axial Force (F_A Max.), N	1380
Side Force (F_S Max.), N	670
Twisting Moment (M_T Max.), N·m	600
Angle α for M_T Max, Degree	-10



ϕ 0.6m 5.725-5.85GHz RADIATION PATTERN

